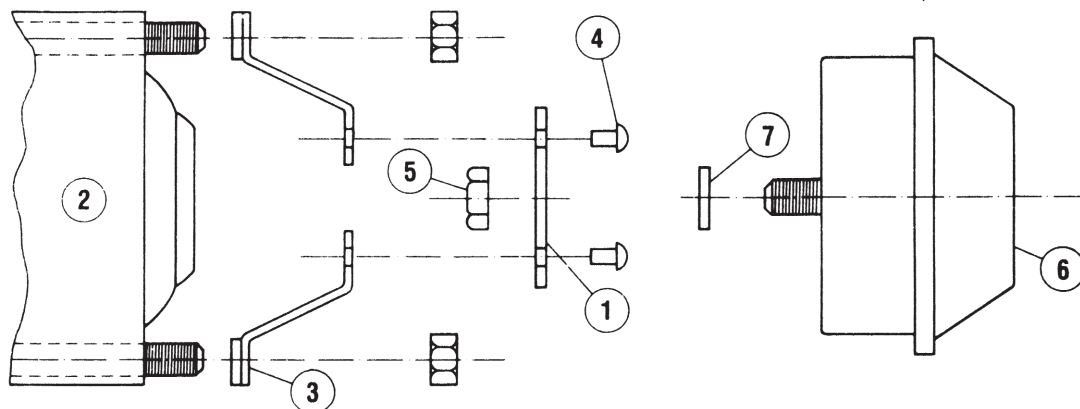


IMPORTANT: HUBODOMETER® MUST BE ACCURATELY CENTERED ON WHEEL.

Installation Instructions for STEMCO Hubodometer® - Rear Wheel Truck or Bus Mount

Part Numbers 610-0011 and 610-0025



1. Drill two 3/16" holes on each end of mounting strap (#1) at marks corresponding to bolt circle diameter of rear wheel axle (#2).
2. Open single hole in support angles (#3) if necessary to fit axle studs or bolts.
3. Cut and trim strap 3/8" beyond rivet holes on both ends.
4. Assemble angles (#3) to mounting strap (#1) as per drawing, using 4 rivets (#4) supplied. Trim angles to conform to contour of axle if necessary.
5. **IMPORTANT:** Place washer (#7) on Hubodometer® stud.
6. Mount Hubodometer® (#6) on strap using 1/2" locknut (#5) supplied. It is recommended that a strap wrench be used to hold Hubodometer® while tightening. Do not clamp Hubodometer® flange in a vise. Do not exceed 15 ft/lbs torque.
7. Mount strap assembly to axle.
8. To clean Hubodometer® face, use a damp cloth to prevent scratches. Do not use solvents, paints or thinners.



STEMCO®

A Higher Standard of Performance.™

ISO 9001:2000 & ISO/TS 16949

STEMCO-USA • P.O. Box 1989 • Longview, TX 75606-1989
(903) 758-9981 • 1-800-527-8492 • FAX: 1-800-874-4297 • www.stemco.com

STEMCO-CANADA • 5900 Ambler Drive, Units 4 & 5 • Mississauga, ON L4W 2N3
(905) 206-9922 • 877-232-9111 • FAX: 877-244-4555

STEMCO and Hubodometer are registered trademarks of STEMCO LP ©2005 STEMCO LP.



Printed in the USA
(Hudson 10-491) 09-611-0036
Rev. 07-05